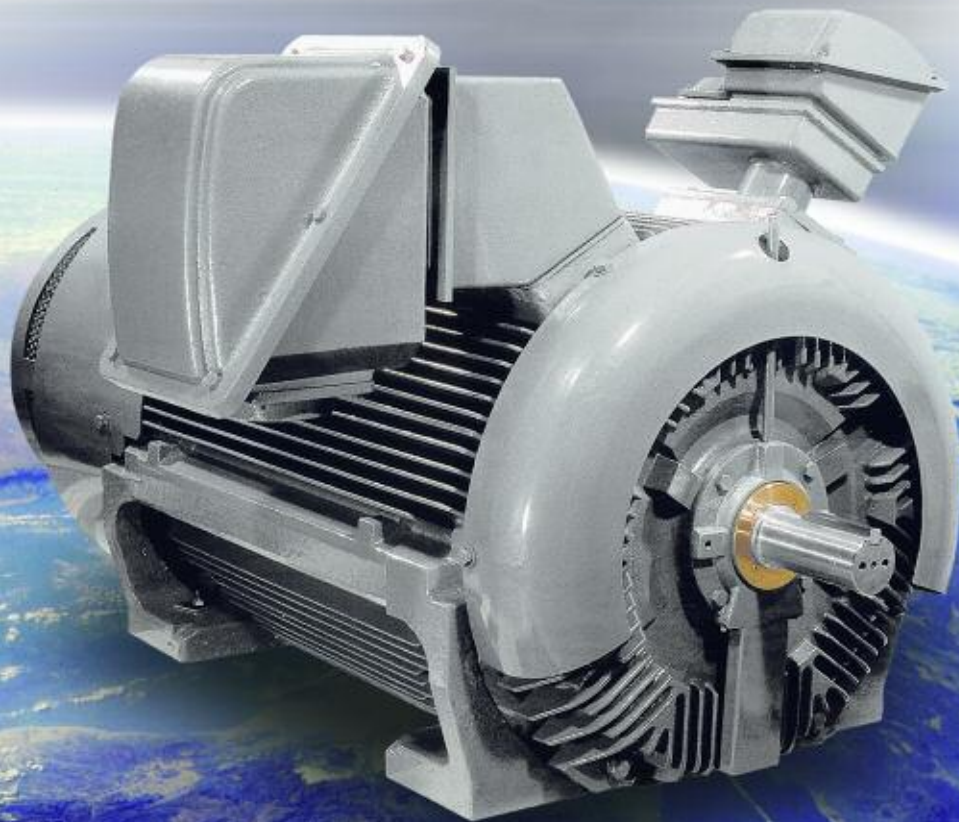


GLOBAL XPE SERIES

PREMIUM EFFICIENCY INDUCTION MOTOR
TOTALLY ENCLOSED FAN COOLED



MOTOR PRODUCTS

TECO  **Westinghouse**

MOTORS (CANADA) INC.

PERFORMANCE DATA

HP	Full Load	Frame Size	EFFICIENCY			POWER FACTOR			CURRENT (@2300V)		TORQUE				Rotor WR ² LB FT ²	NEMA kVA Letter	Approx Weight LBS
			Full Load	3/4 Load	1/2 Load	Full Load	3/4 Load	1/2 Load	Full Load	Locked Rotor	Full Load LB FT	Locked Rotor %FLT	Pull Up %FLT	Break Down %FLT			
150	890	5007B	93.6	93.0	91.7	79.5	75.0	64.5	37.7	235	885	125	100	245	187	G	3600
200	1175	5007B	95.0	94.5	93.0	86.0	83.0	75.0	45.9	311	892	100	100	240	125	G	3550
	890	5009B	94.1	93.6	92.4	80.0	75.0	64.5	49.8	310	1180	115	100	245	224	G	4150
250	3575	5007A	95.0	94.5	93.0	88.5	87.5	82.5	55.7	397	366	90	90	230	41	G	3200
	1780	5007B	95.0	94.5	93.0	90.0	89.0	84.0	54.8	395	736	100	100	250	114	G	3500
	1180	5009B	95.0	94.5	93.6	86.0	83.0	75.0	57.3	394	1110	100	100	230	143	G	4100
	890	5009B	95.0	94.5	93.6	80.0	75.0	64.7	61.6	394	1475	115	100	245	232	G	4300
300	3575	5009A	95.4	95.0	93.6	90.5	90.0	85.0	65.1	468	440	90	90	230	52	G	3500
	1785	5009B	95.4	95.0	93.6	90.0	89.0	84.1	65.4	467	881	100	100	250	135	G	4000
	1185	5009B	95.0	94.5	93.6	86.2	83.3	75.4	68.6	466	1327	100	100	230	167	G	4350
	890	5011B	95.0	94.5	93.6	80.5	75.5	65.0	73.5	467	1770	115	100	230	255	G	4750
350	3580	5009A	95.4	95.0	93.6	90.5	90.0	85.3	75.9	549	513	90	90	230	57	G	3800
	1785	5009B	95.4	95.0	93.6	90.0	89.0	84.2	76.4	547	1028	100	100	250	155	G	4350
	1185	5011B	95.0	94.5	93.6	86.3	83.4	75.5	79.9	548	1548	100	100	230	185	G	4750
	890	5808B	95.0	94.5	93.6	81.0	75.5	67.0	85.1	547	2065	115	95	230	466	G	5100
400	3580	5011A	95.4	95.0	93.6	91.0	90.5	85.8	86.3	627	585	90	90	230	69	G	4800
	1785	5011B	95.4	95.0	93.6	90.0	89.0	84.2	87.2	626	1175	100	100	250	176	G	4450
	1185	5011B	95.0	94.5	93.6	86.3	83.4	75.5	91.4	625	1769	100	100	235	209	G	4500
	890	5808B	95.0	94.5	93.6	81.0	75.5	67.0	97.3	625	2360	115	95	230	520	G	5300
450	3585	5011A	95.4	95.0	93.6	91.0	90.5	85.9	97.1	704	658	90	90	230	79	G	5050
	1785	5011B	95.4	95.0	93.6	90.5	89.2	84.5	97.6	703	1322	100	100	235	194	G	4800
	1185	5808B	95.4	95.0	93.6	86.5	83.5	75.6	102.1	703	1991	100	100	240	446	G	5300
	890	5810B	95.0	94.5	93.6	81.5	76.0	67.5	108.8	702	2654	115	95	230	600	G	5900
500	3585	5808A	95.4	95.1	93.6	91.0	90.5	85.9	108.0	781	731	90	90	230	112	G	4700
	1785	5808B	95.8	95.4	93.6	90.5	89.2	84.5	108.0	780	1468	100	100	240	315	G	5000
	1185	5810B	95.4	95.0	93.6	87.0	83.8	75.9	113.0	779	2212	100	100	235	494	G	5300
	890	6808B	95.4	94.5	93.6	85.0	80.5	72.0	115.4	779	2950	110	100	230	802	G	7400
600	3585	5810A	95.8	95.4	94.0	91.0	90.5	86.0	129.0	942	877	90	90	235	142	G	5950
	1785	5810B	95.8	95.4	93.6	90.5	89.3	84.6	130.0	941	1762	100	100	240	353	G	5600
	1185	5810B	95.4	95.0	94.1	87.0	83.9	76.0	135.4	940	2654	100	100	235	534	G	5800
	892	6808B	95.4	95.0	94.1	85.0	80.5	72.0	139.0	940	3531	110	100	230	947	G	7900
700	3585	5810A	96.2	95.8	94.5	91.0	90.5	86.0	150.0	1095	1023	90	90	235	161	G	6600
	1785	5810B	95.8	95.4	93.6	90.5	89.3	84.7	151.2	1093	2056	100	100	235	384	G	5750
	1185	6808B	95.8	95.4	94.1	87.2	84.0	76.2	157.0	1093	3097	100	100	240	982	G	7550
	892	6808B	95.4	95.0	94.1	86.0	82.0	72.5	160.0	1092	4120	110	90	230	1065	G	8650
800	3585	6808A	96.2	95.8	94.5	91.5	91.0	86.5	170.0	1250	1170	90	90	235	339	G	8350
	1785	6808B	95.8	95.4	94.1	90.5	89.3	84.7	172.8	1248	2350	100	100	240	574	G	7700
	1185	6808B	95.8	95.4	94.1	87.2	84.0	76.2	179.3	1247	3539	100	100	240	1060	G	8400
	888	450C	95.9	95.6	94.5	84.0	82.5	75.0	186.0	1263	4730	100	-	220	1335	G	9680
900	1785	6808B	95.8	95.4	94.1	90.5	89.3	84.7	194.4	1411	2643	100	100	240	657	G	8500
	1188	450C	96.2	96.0	94.5	86.0	82.5	76.0	204.0	1420	3977	80	-	230	1157	G	10120
	890	500C	95.9	95.6	94.5	84.0	82.5	75.0	209.0	1420	5309	90	-	220	2166	G	12320
1000	1785	450C	96.3	96.0	95.0	90.0	88.0	82.0	217.0	1578	2941	90	-	220	902	G	9900
	1188	500C	96.2	96.0	94.5	86.0	82.5	76.0	227.0	1578	4419	80	-	230	1632	G	11220
	890	500C	96.0	95.8	94.5	84.0	82.5	75.0	232.0	1578	5899	85	-	220	2255	G	13420
1250	1786	500C	96.4	96.2	95.0	90.5	88.5	82.0	268.0	1973	3674	85	-	220	1098	G	10560
	1188	500C	96.2	96.0	94.5	86.0	82.5	76.0	283.0	1973	5524	80	-	230	1750	G	11440
	890	560C	96.0	95.8	94.5	84.0	82.5	75.0	290.0	1973	7374	80	-	220	2664	G	16060
1500	1786	500C	96.5	96.3	95.0	90.5	89.0	83.0	321.0	2367	4409	85	-	220	1234	G	11660
	1188	560C	96.2	96.0	94.5	86.0	82.5	76.0	340.0	2367	6629	80	-	220	2486	G	16940
	890	560C	96.0	95.8	94.5	84.0	82.5	75.0	348.0	2367	8848	80	-	220	3233	G	18040
1750	1786	560C	96.5	96.3	95.0	90.5	89.0	83.0	375.0	2762	5144	80	-	230	2029	G	16060
	1188	560C	96.2	96.0	94.5	86.0	82.5	76.0	396.0	2762	7734	80	-	220	2902	G	18040
2000	1786	560C	96.5	96.3	95.0	90.5	89.0	83.0	415.0	3156	5879	80	-	220	2326	G	16940

NOTE: 1. The above are typical values based on routine tests and are not guaranteed; data subject to change without notice.
 2. 250-500 HP, 4-6 Pole, NEMA Premium™ Efficiency



As a Partner in the NEMA Premium™ Electric Motor Program, TECO-Westinghouse Motors has determined that this product meets the NEMA Premium™ Efficiency specifications for premium energy efficiency.

DIMENSIONAL DATA

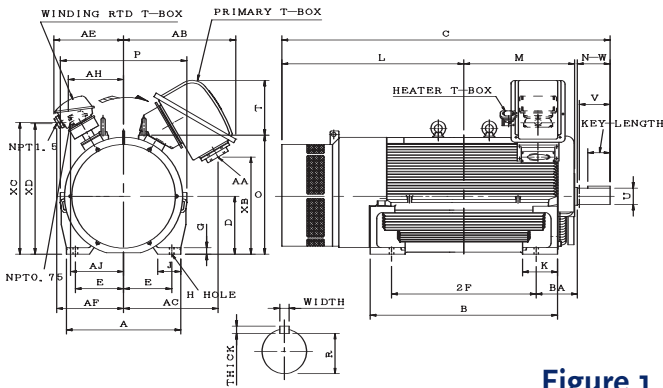


Figure 1

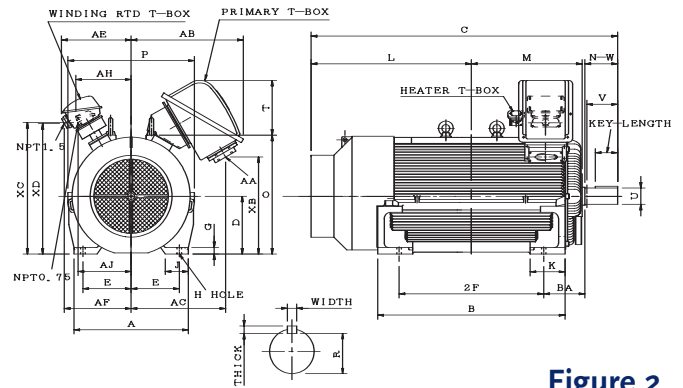


Figure 2

Frame Size	Pole	Figure No.	Mounting																
			E	2F	H	BA	A	B	C	D	G	J	K	L	M	O	P	T	
5007A	2P	1	10.00	22.00	0.94	8.5	25.60	28.75	61.85	12.5	1.85	5.90	7.10	36.60	18.94	26.65	28.75	7.9	
5007B	4P,6P,8P	2	10.00	22.00	0.94	8.5	25.60	28.75	63.77	12.5	1.85	5.90	7.10	32.65	19.15	26.65	28.75	7.9	
5009A	2P	1	10.00	28.00	0.94	8.5	25.60	34.65	67.80	12.5	1.85	5.90	7.10	39.55	21.90	26.65	28.75	7.9	
5009B	4P,6P,8P	2	10.00	28.00	0.94	8.5	25.60	34.65	69.72	12.5	1.85	5.90	7.10	35.60	22.00	26.65	28.75	7.9	
5011A	2P	1	10.00	36.00	0.94	8.5	25.60	42.50	75.75	12.5	1.85	5.90	7.10	43.50	25.80	26.65	28.75	7.9	
5011B	4P,6P,8P	2	10.00	36.00	0.94	8.5	25.60	42.50	77.67	12.5	1.85	5.90	7.10	39.55	26.00	26.65	28.75	7.9	
5808A	2P	1	11.50	28.00	1.13	10.0	29.55	36.60	73.05	14.5	1.70	5.90	9.65	43.30	23.20	30.90	33.85	9.6	
5808B	4P,6P,8P	2	11.50	28.00	1.13	10.0	29.55	36.60	73.48	14.5	1.70	5.90	9.65	37.60	23.40	30.90	33.85	9.6	
5810A	2P	1	11.50	36.00	1.13	10.0	29.55	44.10	80.80	14.5	1.70	5.90	9.65	47.05	26.95	30.90	33.85	9.6	
5810B	4P,6P,8P	2	11.50	36.00	1.13	10.0	29.55	44.10	81.23	14.5	1.70	5.90	9.65	41.35	27.20	30.90	33.85	9.6	
6808A	2P	1	13.50	36.00	1.38	11.5	35.00	48.45	86.65	17.0	2.00	7.10	10.65	51.40	28.55	35.70	38.80	9.6	
6808B	4P	1	13.50	36.00	1.38	11.5	35.00	48.45	90.98	17.0	2.00	7.10	10.65	49.60	28.70	35.70	38.80	9.6	
6808B	6P,8P	2	13.50	36.00	1.38	11.5	35.00	48.45	87.28	17.0	2.00	7.10	10.65	45.90	28.70	35.70	38.80	9.6	
450C	4P	1	14.76	44.09	1.38	12.4	35.00	57.09	95.47	17.71	1.97	7.10	10.63	*	*	*	38.80	*	
450C	6P,8P	2	14.76	44.09	1.38	12.4	35.00	57.09	92.72	17.71	1.97	7.10	10.63	*	*	*	38.80	*	
500C	4P	1	16.73	49.21	1.38	13.19	40.16	60.24	102.8	19.68	1.97	9.06	12.40	*	*	*	39.21	*	
500C	6P,8P	2	16.73	49.21	1.38	13.19	40.16	60.24	100.79	19.68	1.97	9.06	12.40	*	*	*	39.21	*	
560C	4P	1	18.7	55.12	1.65	13.98	44.09	67.72	113.58	22.05	1.97	9.84	12.40	*	*	*	42.91	*	
560C	6P,8P	2	18.7	55.12	1.65	13.98	44.09	67.72	113.58	22.05	1.97	9.84	12.40	*	*	*	42.91	*	

Frame Size	KEY			Winding RTD T-Box			Heater T-Box			Keyseat	Terminal Housing				Shaft Extension			Bearings	
	Width	Thick	Length	AE	AF	XC	AH	AJ	XD	R	AA	AB	AC	XB	N-W	U	V	Drive End	Opposite Drive End
5007A	0.625	0.625	4.01	16.0	15.35	30.00	13.40	12.80	29.85	2.275	2.0	26.20	20.10	18.6	5.75	2.625	5.50	6315C3	6315C3
5007B	1.000	1.000	10.0	16.0	15.35	30.00	13.40	12.80	29.85	3.309	2.0	26.20	20.10	18.6	11.62	3.875	11.12	6324	6320
5009A	0.625	0.625	4.01	16.0	15.35	30.00	13.40	12.80	29.85	2.275	2.0	26.20	20.10	18.6	5.75	2.625	5.50	6315C3	6315C3
5009B	1.000	1.000	10.0	16.0	15.35	30.00	13.40	12.80	29.85	3.309	2.0	26.20	20.10	18.6	11.62	3.875	11.12	6324	6320
5011A	0.625	0.625	4.01	16.0	15.35	30.00	13.40	12.80	29.85	2.275	2.0	26.20	20.10	18.6	5.75	2.625	5.50	6315C3	6315C3
5011B	1.000	1.000	10.0	16.0	15.35	30.00	13.40	12.80	29.85	3.309	2.0	26.20	20.10	18.6	11.62	3.875	11.12	6324	6320
5808A	0.625	0.625	4.01	17.3	16.65	34.35	14.20	14.15	34.05	2.275	3.5	30.50	24.40	21.1	5.75	2.625	5.50	6315C3	6315C3
5808B	1.250	1.250	10.0	17.3	16.65	34.35	14.20	14.15	34.05	4.169	3.5	30.50	24.40	21.1	11.88	4.875	11.38	6326	6322
5810A	0.625	0.625	4.01	17.3	16.65	34.35	14.20	14.15	34.05	2.275	3.5	30.50	24.40	21.1	5.75	2.625	5.50	6315C3	6315C3
5810B	1.250	1.250	10.0	17.3	16.65	34.35	14.20	14.15	34.05	4.169	3.5	30.50	24.40	21.1	11.88	4.875	11.38	6326	6322
6808A	0.625	0.625	4.01	18.6	18.00	39.15	16.05	15.50	38.90	2.275	3.5	31.80	25.70	25.9	5.75	2.625	5.50	6315C3	6315C3
6808B	1.250	1.250	10.0	18.6	18.00	39.15	16.05	15.50	38.90	4.169	3.5	31.80	25.70	25.9	11.88	4.875	11.38	6326	6322
6808B	1.250	1.250	10.0	18.6	18.00	39.15	16.05	15.50	38.90	4.169	3.5	31.80	25.70	25.9	11.88	4.875	11.38	6326	6322
450C	1.100	*	6.30	*	*	*	*	*	*	3.937	5.0	31.80	25.70	26.4	8.27	4.330	7.76	6324	6322
450C	1.100	*	6.30	*	*	*	*	*	*	3.937	5.0	31.80	25.70	26.4	8.27	4.330	7.76	6324	6322
500C	1.260	*	6.30	*	*	*	*	*	*	4.488	5.0	32.36	26.26	24.5	8.27	4.921	7.76	6326	6324M/C3 VL024
500C	1.260	*	6.30	*	*	*	*	*	*	4.488	5.0	32.36	26.26	24.5	8.27	4.921	7.76	6326	6324M/C3 VL024
560C	1.417	*	7.87	*	*	*	*	*	*	5.039	5.0	33.74	27.64	28.27	9.843	5.512	9.33	6330	6324M/C3 VL024
560C	1.417	*	7.87	*	*	*	*	*	*	5.039	5.0	33.74	27.64	28.27	9.843	5.512	9.33	6330	6324M/C3 VL024

- NOTE:**
1. Dimension D tolerance: +0.00 inch, -0.06 inch
 2. Dimension U tolerance: +0.000 inch, -0.001 inch
 3. Dimension R tolerance: +0.000 inch, -0.015 inch
 4. Dimension V is the length of the straight part of the shaft.
 5. With 120V space heater & 2/phase 100 Ω platinum winding RTD's.
 6. Belt drives on B & C frame motors can be modified by changing drive end ball bearing with roller bearing and reviewing the pulley dimensions.

* Contact your TECO-Westinghouse representative for more information.

RATINGS AND STANDARDS

**Power Supply:**

AC, Three phase, 60Hz available for 2300V/4160V systems.

Output Range:

Range from 150-2000HP.**

Speed Range:

3600-900RPM.

Enclosure:

Available in TEFC (IP55) enclosure.

Duty Rating:

Continuous rating with 1.15 service factor.

Performance:

All Global Series motors are designed to meet or exceed NEMA Design B torque requirements.

** Stock up to 700 HP. Contact TECO-Westinghouse for ratings up to 2000HP.

GLOBAL WORLD CLASS PERFORMER

For more than a century, TECO-Westinghouse motors have been recognized as industry leaders in dependability and quality. Our **Global XPE Series** line continues to provide the high quality and reliability that you have come to expect from TECO-Westinghouse.

The **Global XPE Series** have been designed and built for the the most demanding applications in the industry. Standard features include cast iron construction, copper bar rotor, 100 ohm platinum stator RTD's and 120 Volt space heater. Stock available up to 700HP; for larger horsepower up to 2000HP, please contact your nearest TECO-Westinghouse representative.

TECO—Westinghouse

M O T O R S (C A N A D A) I N C .

VANCOUVER, BC

1-800-565-6055
Ph: (604) 684-7202
Fx: (604) 684-7204

EDMONTON, AB

1-800-661-4023
Ph: (780) 444-8933
Fx: (780) 486-4575

CALGARY, AB

Ph: (403) 640-2063
Fx: (403) 640-2075

CAMBRIDGE, ON

1-800-268-4770
Ph: (519) 624-1616
Fx: (519) 624-1557

LACHINE, PQ

1-888-648-1676
Ph: (514) 636-8964
Fx: (866) 309-8964

www.twmi.com

Printed in Canada
05/06